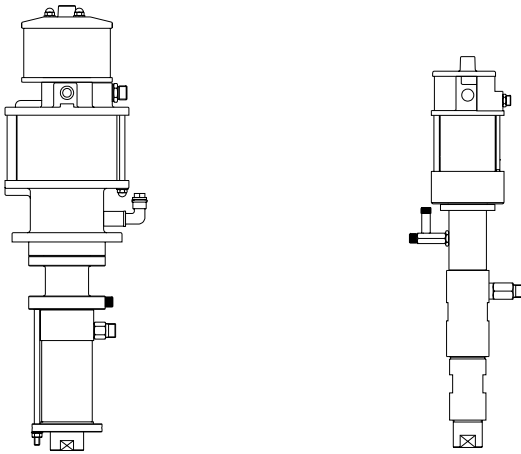


# WIWA Transfer Pumps

Series DA 2:1 · DA 4:1 · DA 4,5:1 · DA 7:1 · DA 9:1 · DA 10:1

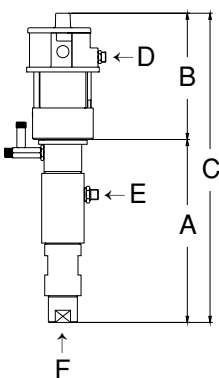


## Technical Data and Order References

Model	Pump Ratio	Max. free-flow output (ltr./min.)	Output per cycle (ccm)	Max. input air (bar)	Max. operating pressure (bar)	Versions*/ Order Numbers	
						N	RS
DA 2:1	2:1	16	165	8	16	0010537	0013331
DA 4:1	4:1	10	84	8	32	0012882	0013358
DA 4,5:1	4,5:1	28	288	8	36	0010553	0013374
DA 7:1	7:1	4	41	8	56	0010596	0013382
DA 9:1	9:1	28	288	6,5	58,5	0010588	0013390
DA 10:1	10:1	10	72	8	80	0065293	---

\*Available versions: N = non-stainless

RS = stainless steel



## Dimensions (mm)

	Model					
	DA 2:1	DA 4:1	DA 4.5:1	DA 7:1	DA 9:1	DA 10:1
A	239	319.5	293	302	293	402
B	208.5	208.5	375	208.5	375	243
C	447.5	528	668	510.5	668	645
D	3/8" NPS(m)	3/8" NPS(m)	3/8" NPS(m)	3/8" NPS(m)	BSP 1/2" (m)	3/8" NPS(m)
E	BSP 1/2" (m)	BSP 1/2" (m)	BSP 1/2" (m)	3/8" NPS(m)	BSP 1/2" (m)	BSP 1/2" (m)
F	M25 x 1 (f)	M25 x 1 (f)	M25 x 1 (f)	M25 x 1 (f)	M25 x 1 (f)	M25 x 1 (f)

## WIWA

Wilhelm Wagner GmbH & Co. KG  
 Gewerbestraße 1-3 · 35633 Lahnau, Germany  
 P.O.B. 29 · 35631 Lahnau, Germany  
 E-mail: info@wiwa.de · Internet: www.wiwa.de  
 Telephone: +49 (0)64 41-6 09-0  
 Telefax: +49 (0)64 41-6 09-50/58

## Technical changes reserved.

No. 0518245 (e) · 01.01

© 1993 WIWA Wilhelm Wagner GmbH & Co. KG

Your local distributor is: